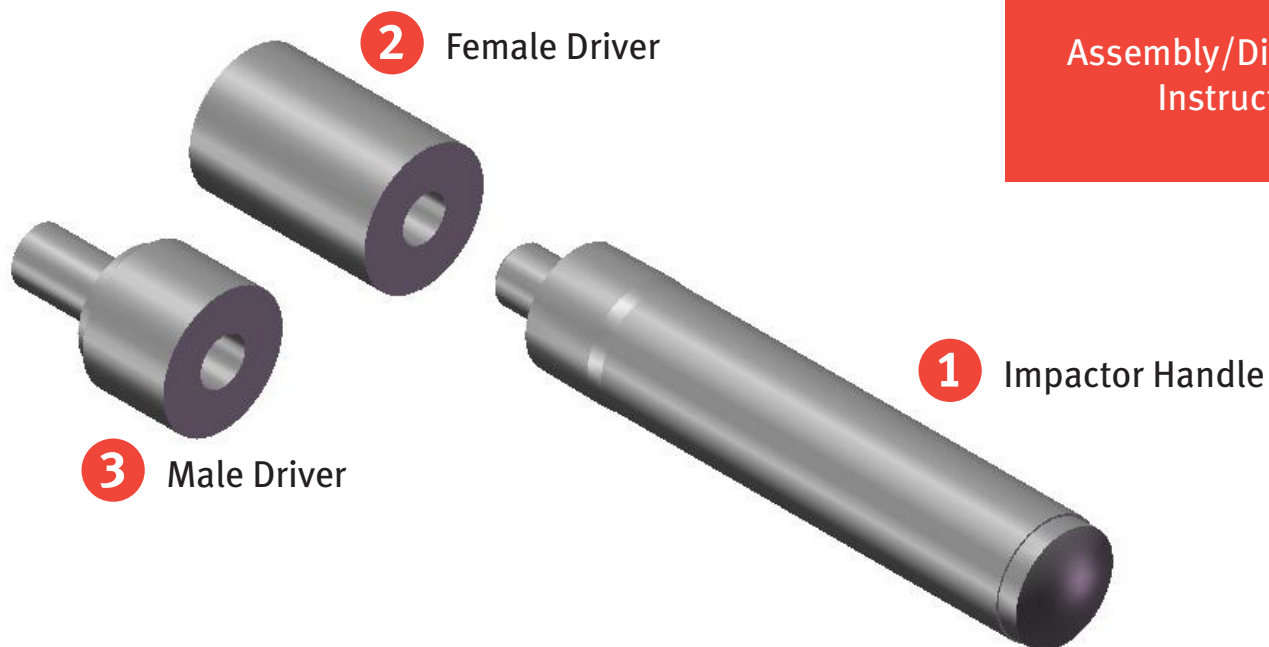




Driver/Impactor
00-8553-404-00

Assembly/Disassembly
Instructions



Disassembly Instructions for Driver/Impactor

1. Unscrew the Female Driver **2** out of the Impactor Handle **1**.
2. End of disassembly.

Note: Male Driver **3** can also be used in place of Female Driver **2**.

Assembly Instructions for Driver/Impactor

1. Thread the Female Driver **2** fully into the Impactor Handle **1**.
2. End of assembly.



+H124970000524001/\$100610F100

97-0000-524-00 1003-T34 Printed in USA ©2010 Zimmer, Inc.