



Zimmer® Patient Helper HD



The *Zimmer* Patient Helper HD (Heavy Duty) is designed as an assistive device for the patient during ingress to the bed and egress from the bed. The device is designed for use by patients weighing up to 400 pounds. It features adjustable height and can also be adjusted from left to right to assist patient movement within the bed.

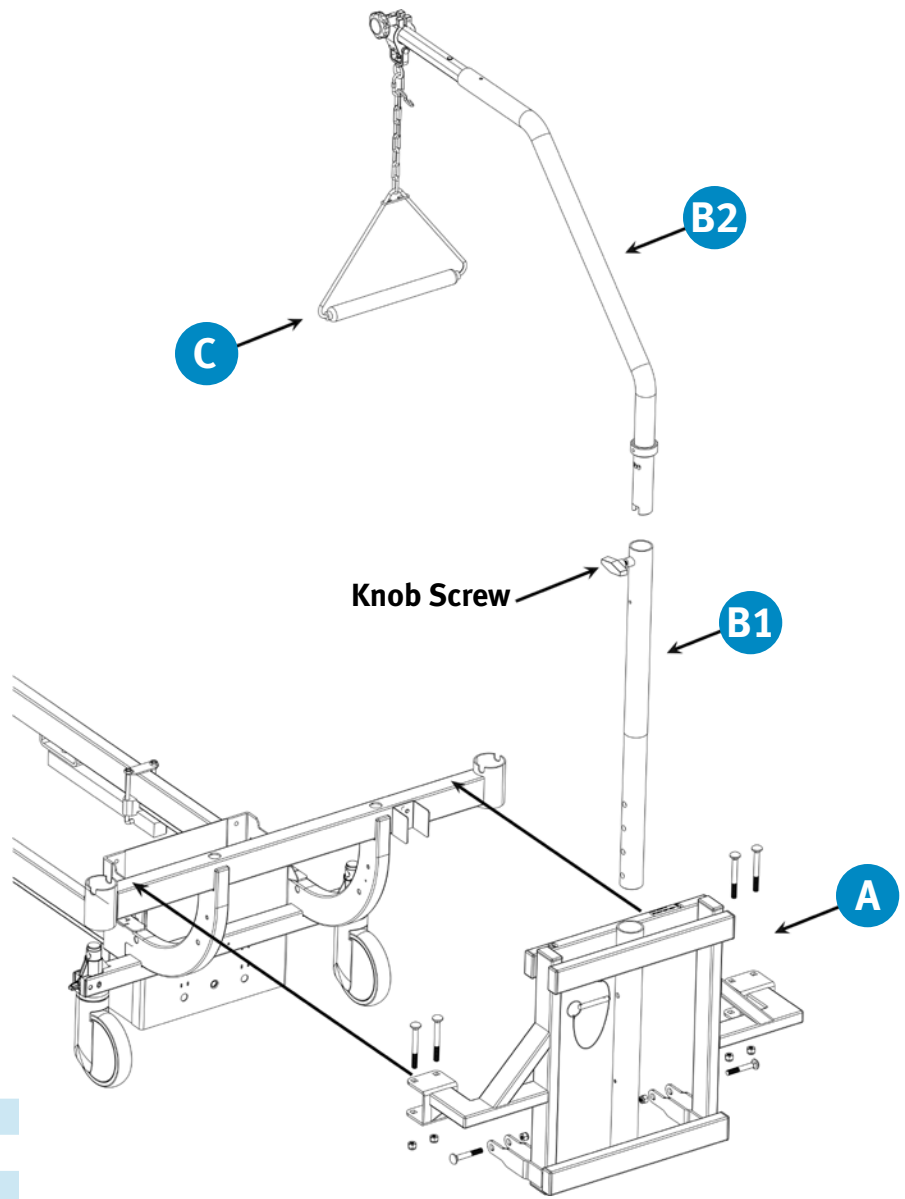
The *Zimmer* Patient Helper HD is an available option for traction setups for the Hill-Rom CareAssist, Hill-Rom Advanta II and Hill-Rom 1000 beds.

Features

- Multi-part overhead bar design
- Designed for patients weighing up to 400 pounds
- Adjustable height
- Adjustable left and right
- Trapeze design
- No tools required for setup or removal

Note: The *Zimmer* Patient Helper HD is not intended to be a total suspension device.

- A: Frame Adapter
- B1: Overhead Bar (section 1 of 2)
- B2: Overhead Bar (section 2 of 2)
- C: Trapeze, Heavy Duty



Ordering Information

Zimmer Patient Helper HD (Heavy Duty)

Prod. No.	Description
00-0965-020-00	Patient Helper HD (Complete Kit)
00-0965-021-00	Patient Helper HD Overhead Bar
00-0965-022-00	Patient Helper HD Frame Adapter
00-0640-003-00	Trapeze, Heavy Duty

This documentation is intended exclusively for physicians and is not intended for laypersons. Information on the products and procedures contained in this document is of a general nature and does not represent and does not constitute medical advice or recommendations. Because this information does not purport to constitute any diagnostic or therapeutic statement with regard to any individual medical case, each patient must be examined and advised individually, and this document does not replace the need for such examination and/or advice in whole or in part. Please refer to the package inserts for important product information, including, but not limited to, contraindications, warnings, precautions, and adverse effects.



All trademarks are the property of their respective owners.

97-2000-063-00 SURG458 3ML Printed in USA ©2011 Zimmer Surgical, Inc.

Contact your Zimmer representative
or visit us at www.zimmer.com

