



ZCA[®]
All-Poly
Acetabular Cup



All Poly. All Zimmer. All World.



ALL POLY.

ALL ZIMMER. ALL WORLD.

Combining extensive research with proven technologies for advanced orthopaedic implantation, Zimmer offers a complete line of hip implants to multiply your options for cemented acetabular cups. ZCA® All-Poly Cups can be used in primary or revision surgery and with ZCA Reconstruction Roof Rings or Cages.

- The ZCA Snap-In Cup helps reduce the risk of dislocation with a reduced geometry of polyethylene above the equator of the femoral head. It is available in a 32mm ID neutral face cup.
- The Inclined Face Cup can be positioned to offer extra protection against dislocation. Available with a 3mm rim in three ID sizes.
- The Neutral Cup remains an excellent choice for standard acetabular replacement. Available with a 3mm rim in three ID sizes.



Snap-In Cup



Inclined Face Cup



Neutral Cup

3mm rim (1.5mm on each side) to help pressurize cement.

Four 3mm PMMA spacers, strategically positioned in load-bearing areas, help centralize the cup and create a uniform cement mantle.

The 10° inclined face option can be positioned to help prevent dislocation.

The Snap-In Option can help reduce the risk of dislocation with its reduced geometry above the equator of the femoral head.

Two holes in the cup face accommodate the cup positioner during insertion.

Zimmer Polyethylene in both Standard and Longevity® Highly Crosslinked Polyethylene options with a minimum thickness of 6mm helps ensure consistent quality.

Notched circumferential grooves facilitate cement interdigitation.

Stainless steel radiopaque wires on the pole and equator aid in assessing cup position on radiographs.



Provisionals can be used with the cup pusher shaft or the standard cup positioner.



Complete set of instrumentation includes a choice of cup positioners.



Self-centering acetabular drill allows easy placement of drill holes in acetabulum.

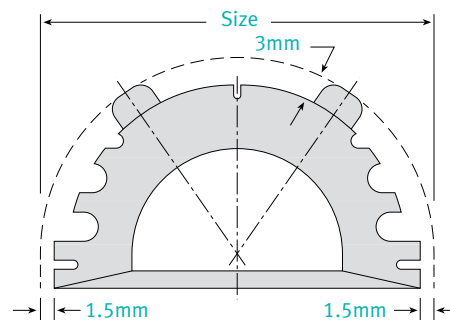
Ordering Information

ZCA All-Poly Acetabular Cup Sizing

The ZCA cup diameter is measured over the cement spacers. Therefore, the **last reamer used should match the cup diameter**. If odd-size reamers are unavailable, choose a cup diameter size which is 1mm less than the last reamer used. The cement mantle thickness is the same as the cement spacer height, which is 3mm.

Size = Diameter of reamed acetabulum (nominal diameter of debris-retaining reamer). This is also the size labeling on the package.

Note: Cup sizes are available in increments of 2mm, as reflected in catalog numbers.



Zimmer Standard Polyethylene

Prod. No.	Size
22mm Neutral Spacer	
00-8005-540-22	43mm OD
Through ↓	Through ↓
00-8005-558-22	61mm OD
26mm Neutral Spacer	
00-8005-542-26	45mm OD
Through ↓	Through ↓
00-8005-558-26	61mm OD
28mm Neutral Spacer	
00-8005-544-28	47mm OD
Through ↓	Through ↓
00-8005-558-28	61mm OD
32mm Neutral Spacer	
00-8005-546-32	49mm OD
Through ↓	Through ↓
00-8005-558-32	61mm OD
22mm 10° Inclined Face Spacer	
00-8005-640-22	43mm OD
Through ↓	Through ↓
00-8005-658-22	61mm OD
26mm 10° Inclined Face Spacer	
00-8005-642-26	45mm OD
Through ↓	Through ↓
00-8005-658-26	61mm OD
28mm 10° Inclined Face Spacer	
00-8005-644-28	47mm OD
Through ↓	Through ↓
00-8005-658-28	61mm OD
32mm 10° Inclined Face Spacer	
00-8005-646-32	49mm OD
Through ↓	Through ↓
00-8005-658-32	61mm OD
32mm Snap-In Spacer	
00-8005-900-32	Snap-in Spacer Set
00-8005-946-32	49mm OD
Through ↓	Through ↓
00-8005-958-32	61mm OD

Longevity Highly Crosslinked Polyethylene

Prod. No.	Size
22mm Neutral Spacer	
00-8065-540-22	43mm OD
Through ↓	Through ↓
00-8065-558-22	61mm OD
26mm Neutral Spacer	
00-8065-542-26	45mm OD
Through ↓	Through ↓
00-8065-558-26	61mm OD
28mm Neutral Spacer	
00-8065-544-28	47mm OD
Through ↓	Through ↓
00-8065-558-28	61mm OD
32mm Neutral Spacer	
00-8065-546-32	49mm OD
Through ↓	Through ↓
00-8065-558-32	61mm OD
22mm 10° Inclined Face Spacer	
00-8065-640-22	43mm OD
Through ↓	Through ↓
00-8065-658-22	61mm OD
26mm 10° Inclined Face Spacer	
00-8065-642-26	45mm OD
Through ↓	Through ↓
00-8065-658-26	61mm OD
28mm 10° Inclined Face Spacer	
00-8065-644-28	47mm OD
Through ↓	Through ↓
00-8065-658-28	61mm OD
32mm 10° Inclined Face Spacer	
00-8065-646-32	49mm OD
Through ↓	Through ↓
00-8065-658-32	61mm OD
32mm Snap-In Spacer	
00-8065-900-32	Snap-in Spacer Set
00-8065-946-32	49mm OD
Through ↓	Through ↓
00-8065-958-32	61mm OD

Prod. No.	Description
00-8005-400-01	ZCA Instrument Set (includes the following:)
00-8005-260-00	Cup Pusher Shaft
00-8005-260-22	Cup Pusher Head, 22mm
00-8005-260-26	Cup Pusher Head, 26mm
00-8005-260-28	Cup Pusher Head, 28mm
00-8005-260-32	Cup Pusher Head, 32mm
00-8000-214-00	Acetabular Drill, 6mm
00-8000-215-00	Acetabular Drill, 13mm
00-8000-216-00	Acetabular Drill, 10mm
00-5785-790-00	Alignment Guide
00-8005-300-00	ZCA Cup Provisional Set (includes the following:)
00-8005-300-43	ZCA Cup Provisional, 43mm
Through ↓	Through ↓
00-8005-300-61	ZCA Cup Provisional, 61mm
00-8005-096-00	ZCA Tray Assembly *
00-8005-095-00	ZCA Sterilization Case Assembly *
00-8005-210-00	ZCA Cup Positioner, Charnley Style,**
	fits 22, 26, 28mm cups
	OR
00-8005-250-00	ZCA Cup Positioner,**
	fits 22, 26, 28mm cups
00-8005-230-00	ZCA Cup Positioner,**
	fits 32mm cup only

* Holds instruments and provisionals.
** One positioner will fit into Tray Assembly.



Note: To receive the entire system, order all part numbers in bold.

Please refer to package insert for complete product information including contraindications, warnings, precautions, and adverse effects.

Contact your Zimmer representative or visit us at www.zimmer.com

