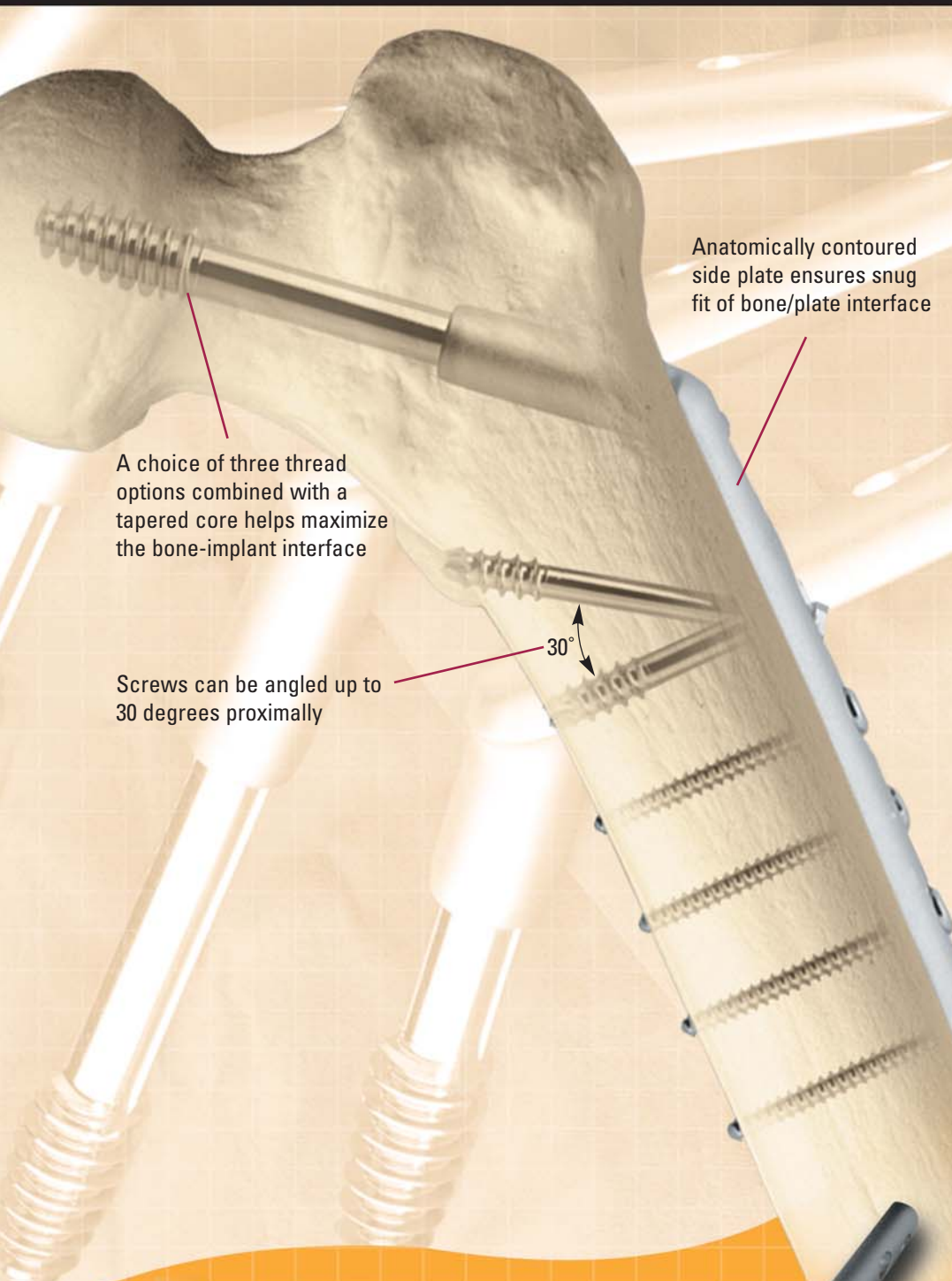




ZIMMER® VERSA-FX® II FEMORAL FIXATION SYSTEM

Low Profile



Anatomically contoured side plate ensures snug fit of bone/plate interface

A choice of three thread options combined with a tapered core helps maximize the bone-implant interface

Screws can be angled up to 30 degrees proximally

30°



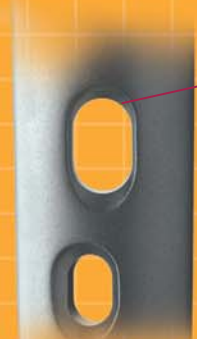
Keyed

Keyless

Keyed and keyless tube plate designs



Linked lag screws have sharp leading edge threads for easy insertion, blunt center threads for cutout resistance and reverse-cutting threads for easy removal



Elongated proximal slot for 6.5mm cancellous, 4.5mm cortical, or 7.0mm cannulated screw to capture medial wall fragments



System offers a variety of tube angles that range between 130°-150° Compression Tube Plate and 95° or 90° Supracondylar Tube Plates

EASY STEP SURGICAL TECHNIQUE



1 Place guide pin.

2 Measure guide pin depth (pilot length).



3 Ream to predetermined length. (Fixation angle, pin depth, fracture type and location, and surgeon preference determine lag screw length.)

4 Tap lag screw channel (optional).



Optional Centering Sleeve



5 Insert lag screw and tube/plate.

6 Insert side plate screws. (Impaction and/or use of compression screw is optional.)



LINKED LAG SCREW (1193)

Length (mm)	Std. Thread	Large Thread	Short Thread
	Di. 12.7mm Thread Lgth. 25.4mm Cat. No.	Di. 15.6mm Thread Lgth. 25.4mm Cat. No.	Di. 12.7mm Thread Lgth. 17.2mm Cat. No.
55	1193-10-20	1193-15-20	1193-05-20
60	1193-10-22	1193-15-22	1193-05-22
65	1193-10-25	1193-15-25	1193-05-25
70	1193-10-27	1193-15-27	1193-05-27
75	1193-10-30	1193-15-30	1193-05-30
80	1193-10-32	1193-15-32	1193-05-32
85	1193-10-35	1193-15-35	1193-05-35
90	1193-10-37	1193-15-37	1193-05-37
95	1193-10-40	1193-15-40	1193-05-40
100	1193-10-42	1193-15-42	1193-05-42
105	1193-10-45	1193-15-45	1193-05-45
110	1193-10-47	1193-15-47	1193-05-47
115	1193-10-50	1193-15-50	1193-05-50
120	1193-10-52	1193-15-52	1193-05-52
125	1193-10-55	1193-15-55	1193-05-55
130	1193-10-57	1193-15-57	1193-05-57
135	1193-10-60	1193-15-60	1193-05-60
140	1193-10-62	1193-15-62	1193-05-62
145	1193-10-65	1193-15-65	1193-05-65
150	1193-10-67	1193-15-67	1193-05-67
155	1193-10-70	1193-15-70	1193-05-70

VERSA-FX II COMPRESSION TUBE/PLATE WITH STANDARD TUBE TUBE LENGTH 38.1mm

No. of Holes	Length (mm)	Angle				
		130°	135°	140°	145°	150°
2	54	1193-130-02	1193-135-02	1193-140-02	1193-145-02	1193-150-02
3	70	1193-130-03	1193-135-03	1193-140-03	1193-145-03	1193-150-03
4	86	1193-130-04	1193-135-04	1193-140-04	1193-145-04	1193-150-04
5	102	1193-130-05	1193-135-05	1193-140-05	1193-145-05	1193-150-05
6	118	1193-130-06	1193-135-06	1193-140-06	1193-145-06	1193-150-06
8	150	1193-130-08	1193-135-08	1193-140-08	1193-145-08	1193-150-08
10	182	1193-130-10	1193-135-10	1193-140-10	1193-145-10	1193-150-10
12	214	1193-130-12	1193-135-12	1193-140-12	1193-145-12	1193-150-12
14	246	1193-130-14	1193-135-14	1193-140-14	1193-145-14	1193-150-14
16	278	1193-130-16	1193-135-16	1193-140-16	1193-145-16	1193-150-16
18	310	1193-130-18	1193-135-18	1193-140-18	1193-145-18	1193-150-18
20	342	1193-130-20	1193-135-20	1193-140-20	1193-145-20	1193-150-20

**VERSA-FX II COMPRESSION TUBE/PLATE WITH SHORT TUBE
TUBE LENGTH 25.4mm**

No. of Holes	Length (mm)	Angle				
		130°	135°	140°	145°	150°
4	86	1193-130-94	1193-135-94	1193-140-94	1193-145-94	1193-150-94
5	102	1193-130-95	1193-135-95	1193-140-95	1193-145-95	1193-150-95
6	118	1193-130-96	1193-135-96	1193-140-96	1193-145-96	1193-150-96

**VERSA-FX II KEYLESS COMPRESSION TUBE/PLATE W/STANDARD TUBE
TUBE LENGTH 38.1mm**

No. of Holes	Length (mm)	Angle				
		130°	135°	140°	145°	150°
4	86	1194-130-04	1194-135-04	1194-140-04	1194-145-04	1194-150-04
5	102	1194-130-05	1194-135-05	1194-140-05	1194-145-05	1194-150-05
6	118	1194-130-06	1194-135-06	1194-140-06	1194-145-06	1194-150-06
8	150	1194-130-08	1194-135-08	1194-140-08	1194-145-08	1194-150-08

**VERSA-FX II KEYLESS COMPRESSION TUBE/PLATE W/SHORT TUBE
TUBE LENGTH 25.4mm**

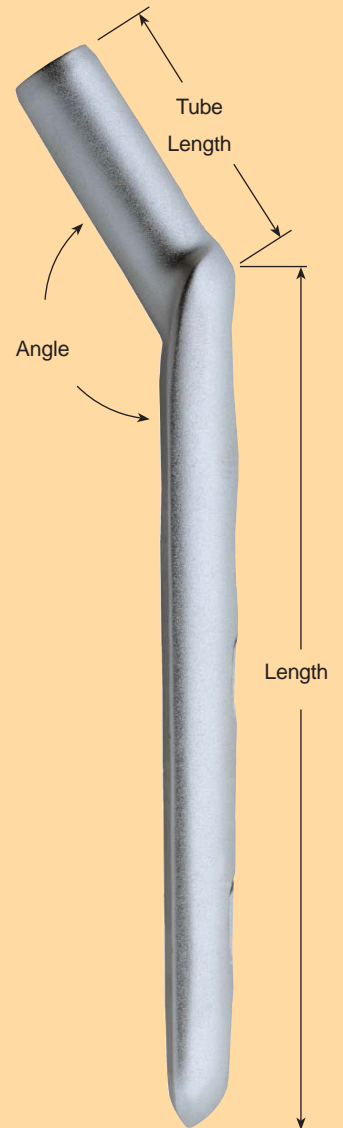
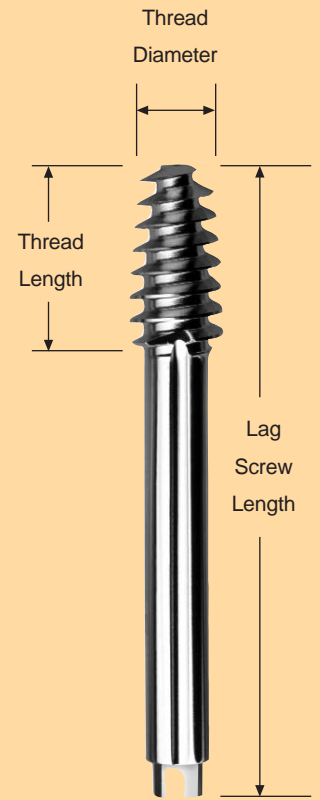
No. of Holes	Length (mm)	Angle				
		130°	135°	140°	145°	150°
4	86	N/A	1194-135-94	N/A	N/A	N/A
5	102	N/A	1194-135-95	N/A	N/A	N/A
6	118	N/A	1194-135-96	N/A	N/A	N/A

VERSA-FX II SUPRACONDYLAR COMPRESSION TUBE/PLATE

No. of Holes Cortical	Angled Cancellous	Length (mm)	Angle	
			90°	95°
6	2	107	1193-90-06	1193-95-06
8	2	139	1193-90-08	1193-95-08
10	2	171	1193-90-10	1193-95-10
12	2	203	1193-90-12	1193-95-12
14	2	235	1193-90-14	1193-95-14
16	2	267	1193-90-16	1193-95-16
18	2	299	—	1193-95-18
20	2	331	—	1193-95-20
22	2	363	—	1193-95-22

VERSA-FX KEYLESS SUPRACONDYLAR COMPRESSION TUBE/PLATE

No. of Holes Cortical	Angled Cancellous	Length (mm)	Angle	
			90°	95°
6	2	150	1198-90-08	1198-95-08
9	2	205	1198-90-11	1198-95-11
12	2	255	N/A	1198-95-14



VERSA-FX II FEMORAL FIXATION SYSTEM

Product Features

One set of surgically-sequenced instruments for both keyed and keyless options, featuring:

- Angle guide for simultaneous use of two Guide Pins
- Combination drill/reamer, with 45-degree chamfer on the second stage reamer head to reduce chatter
- Pin Relocator for accurate reinsertion of Guide Pin
- Cannulated, threaded, linked driver for pre-assembly

VERSA-FX INSTRUMENTS

Cat. No.	Description
1193-00	Complete Instrumentation Set in Sterilization/Storage Tray (Includes all the following, which may be ordered individually:)
1146-09	Cannulated Depth Gauge
1193-02	Combo Reamer Shaft
1193-03	Short Tube Reamer Head
1193-04	Standard Tube Reamer Head
1193-05	Cannulated Bone Tap, Standard (Includes 1193-05-01/1193-05-02)
1193-05-01	Bone Tap Sleeve
1193-05-02	Bone Tap Stop
1193-06	Impactor
1193-08	T-Handle, Long Stem
1193-09	Lag Screw Extractor (Includes 1193-09-01/1193-09-02)
1193-09-01	Extractor Link
1193-09-02	Extractor Shaft
1193-10	Adjustable Double Pin Angle Guide
1193-12	Linked Lag Screw Inserter (Includes 1193-12-01/1193-12-02)
1193-12-01	Inserter Link
1193-12-02	Inserter Shaft
1193-14	Cannulated Bone Tap, Large (For use with 1193-05-01/1193-05-02)
1193-22	90° Template
1193-23	95° Template
1193-90	Sterilization Case (Includes 6 parts)
1199-08	Pin Relocator
1291-04	Twist Drill, 6.4mm
2305-05	Screwdriver Jaws
2305-17	Large Screwdriver Bit, Quick-Connect
2305-25	ECT® Hexhead Screwdriver, Large, 3.5mm
2313-05	ECT Screw Depth Gauge
2313-11	Self-Holding Screw Forceps
2345-08	Tap Sleeve, 4.5mm
2345-45	ECT Neutral & Load Drill Guide

VERSA-FX INSTRUMENTS

Cat. No.	Description
2345-65	Tap Sleeve, 6.5mm
2346-04	ECT T-Handle, Quick-Connect
2346-47	ECT Tap, Quick-Connect, 4.5mm (2)
2346-66	Tap, 6.5mm
2410-32	ECT Drill Bit, Quick-Connect, 3.2mm (2)
2446-40	Sharp Hook

OPTIONAL (Not included in instrument set 1193-00:)

47-1162-19	12.7mm Compression Screw (0.50")
47-1162-20	19mm Compression Screw (0.75")
47-1162-21	25mm Compression Screw (1")
47-1162-22	32mm Compression Screw (1.25")
47-1162-23	38mm Compression Screw (1.50")
47-1162-24	44mm Compression Screw (1.75")
47-1162-25	51mm Compression Screw (2")
1181-20	Threaded Guide Pin, 3.2 x 230mm (Presterile package of 5)
1193-13	Centering Sleeve — Slotted
1193-15	Calibrated Guide Wire, 3.2 x 230mm (Presterile package of 5)
1193-16	Cannulated Bone Tap, Standard (For use with 1193-13)
1193-17	Cannulated Bone Tap, Large (For use with 1193-13)
1193-18	Locking Pin Insertion Tool (For use with 1193 Lag Screw and Free-lock® Pin and Side Plate)
1199-10-01	130° Tube/Plate Provisional (Metal)
1199-10-02	135° Tube/Plate Provisional (Metal)
1199-10-03	140° Tube/Plate Provisional (Metal)
1199-10-04	145° Tube/Plate Provisional (Metal)
1199-10-05	150° Tube/Plate Provisional (Metal)
2446-02	Large Verbrugge Bone Holding Forceps

REPLACEMENT ITEM

1193-06-01	Impactor Nose (For 1193-06)
1193-10-05	Linked Replacement Parallel Guide

Contact your Zimmer representative, or visit us at www.zimmer.com.



zimmer
Confidence in your hands™